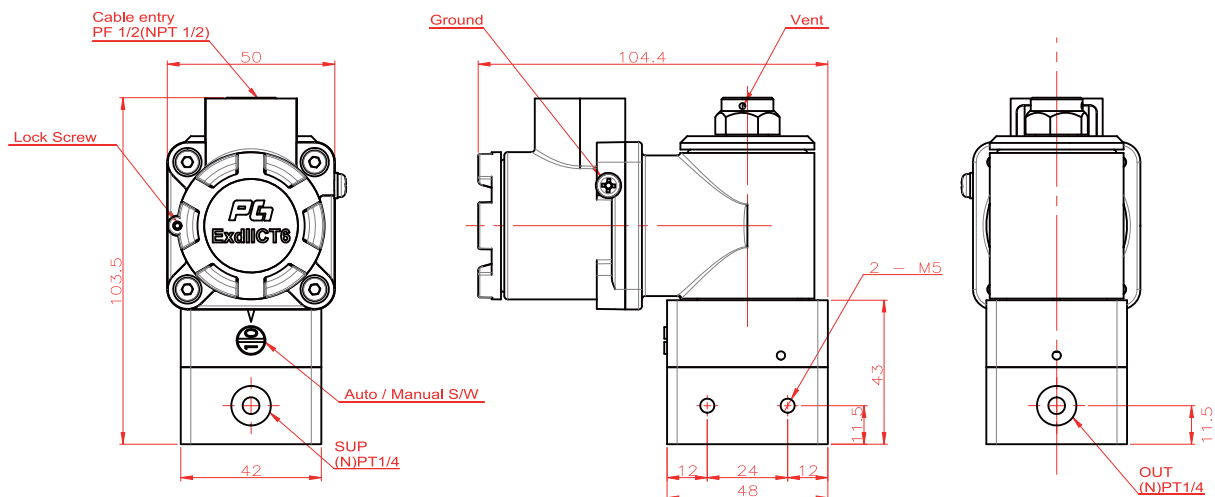


## Specifications

Model	ESV-3
Orifice Size	Ø 1.7
Working Pressure	0 ~ 7 kgf/cm <sup>2</sup>
Operating Voltage : Current	AC 110V / 90mA    DC 24V / 200mA AC 220V / 44mA    DC 110V / 59mA DC 220V / 53mA
Voltage Tolerance	± 10%
Frequency	50Hz / 60Hz
Explosion Proof Class	Ex d IIC T6
Operating Temperature	-20°C - +60°C
Flow Capacity	145 ℓ/min (6 bar)
Pneumatic Connections	PT(Rc) 1/4 or NPT 1/4
Electrical Connection	PF(G) 1/2 or NPT 1/2
Coil Insulation Grade	Class F *
Duty Cycle	100%
Weight	0.5 kg

\* Class H : On request

## Dimensions



**Explosion proof solenoid valve for a confident control in rough working environments**

## Features

- ▶ Rugged aluminum die-cast housing
- ▶ Rotatable valve head for optimal mounting

## How to Order

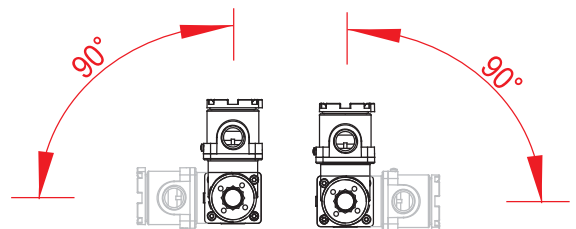
<b>ESV</b>	<b>3</b>	Operating Voltage	Connections (Pneumatic / Electrical)
------------	----------	-------------------	--------------------------------------

Description	Code
Operating Voltage :	A220 : AC 220V A110 : AC 110V D24 : DC 24V D110 : DC 110V D220 : DC 220V
Connections :	P : PT(Rc) 1/4 - PF(G) 1/2 (pneumatic - electrical) N : NPT 1/4 - NPT 1/2

Ex) ESV-3-D24P (3/2 way, 24VDC, Rc 1/4 - G 1/2)

## Rotatable Valve Head

The ESV valve head can be rotated by 90° to the right or to the left for an optimal mounting as shown below

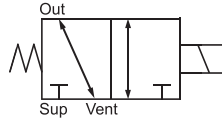


# ESV-3S

[ 3/2 way ]

# Solenoid Valve

( stainless steel 316 valve body )

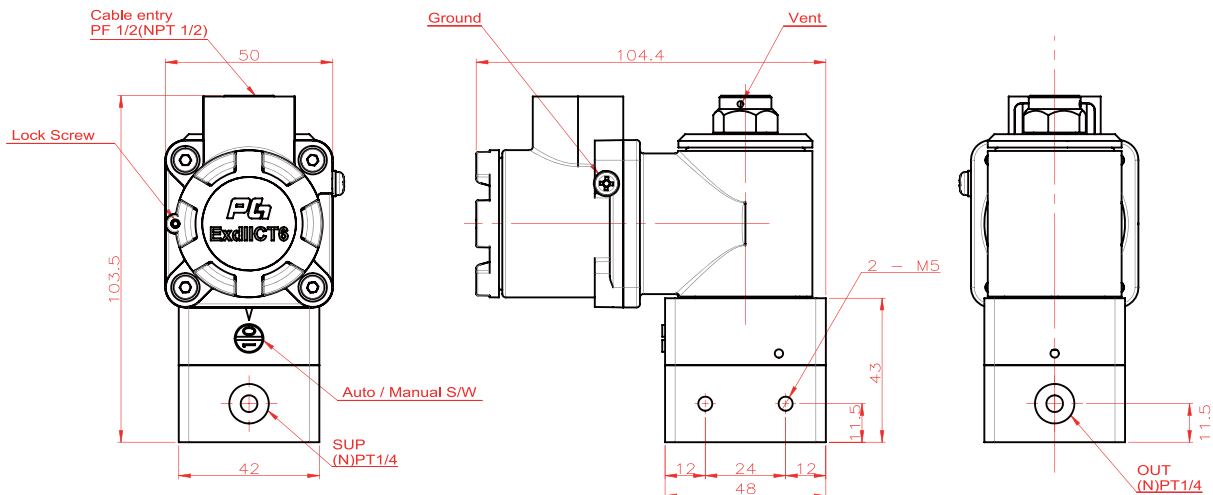


## Specifications

Model	ESV-3S
Orifice Size	Ø 1.7
Working Pressure	0 ~ 7 kgf/cm <sup>2</sup>
Operating Voltage : Current	AC 110V / 90mA    DC 24V / 200mA AC 220V / 44mA    DC 110V / 59mA DC 220V / 53mA
Voltage Tolerance	± 10%
Frequency	50Hz / 60Hz
Explosion Proof Class	Ex d IIC T6
Operating Temperature	-20°C - +60°C
Flow Capacity	145 ℓ/min (6 bar)
Pneumatic Connections	NPT 1/4
Electrical Connection	PF(G) 1/2 or NPT 1/2
Coil Insulation Grade	Class F *
Duty Cycle	100%
Weight	0.5 kg

\* Class H : On request

## Dimensions



**Explosion proof solenoid valve for a confident control in rough working environments**

## Features

- ▶ Stainless steel 316 valve body
- ▶ Rotatable valve head for optimal mounting

## How to Order

<b>ESV</b>	<b>3S</b>	Operating Voltage	Connections (Pneumatic / Electrical)
------------	-----------	-------------------	--------------------------------------

Description	Code
Operating Voltage :	A220 : AC 220V A110 : AC 110V D24 : DC 24V D110 : DC 110V D220 : DC 220V
Connections :	P : NPT 1/4 - PF(G) 1/2 (pneumatic - electrical)    N : NPT 1/4 - NPT 1/2

Ex) ESV-3S-D24N (3/2 way, 24VDC, NPT 1/4 - NPT 1/2)

## Rotatable Valve Head

The ESV valve head can be rotated by 90° to the right or to the left for an optimal mounting as shown below

