



*Cylinder positioner ideally designed and optimized for cylinder actuator and guaranteeing precise and stable performance with cylinder actuator*

### Features

- ▶ Easy to set
- ▶ Compact
- ▶ Precise and stable performance
- ▶ Suitable for a wide application

### Specifications

	EPCL	PPCL
Input Signal	4 ~ 20 mA @ 24 VDC	3 ~ 15 psi (0.2 ~ 1 bar)
Input resistance	425Ω	N.A.
Air Supply	3 ~ 7 bar (100 psi) free of oil, water, and moisture	
Standard Stroke	30 ~ 300mm	
Pneumatic Connections	PT(Rc) 1/4 or NPT 1/4	
Electrical Connections	PF(G) 1/2 or NPT 1/2	N.A.
Protection Class	IP55	
Ambient Temperature	-20 ~ +70°C *	
Output Characteristics	Linear	
Linearity	Within ± 1.0% F.S	
Sensitivity	Within ± 0.5% F.S	
Hysteresis	Within 1.0% F.S	
Repeatability	Within ± 0.5% F.S	
Air Consumption	5 LPM (Sup. 1.4 bar)	
Material	Aluminum die-cast	
Weight	2 kg	1.5 kg

\* High temperature option : up to +120°C

### How to Order

	Stroke	Connections (Pneumatic/Electrical)	Operating Temperature	Description	Code
<b>EPCL</b>	Stroke	Connections (Pneumatic/Electrical)	Operating Temperature	<b>Stroke :</b>	On request (30mm ~ 300mm)
<b>PPCL</b>	Stroke	Connections (Pneumatic)	Operating Temperature	<b>Connections : (Pneumatic - electrical)</b>	P: PT(Rc) 1/4 - PF(G) 1/2 N: NPT 1/4 - NPT 1/2
				<b>Operating Temperature :</b>	N: -20 ~ +70°C (standard) H: -20 ~ +120°C (high temp.)

### NOTE

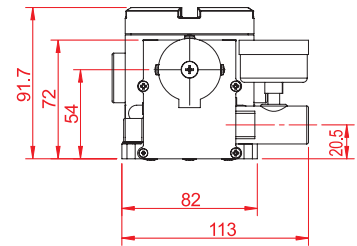
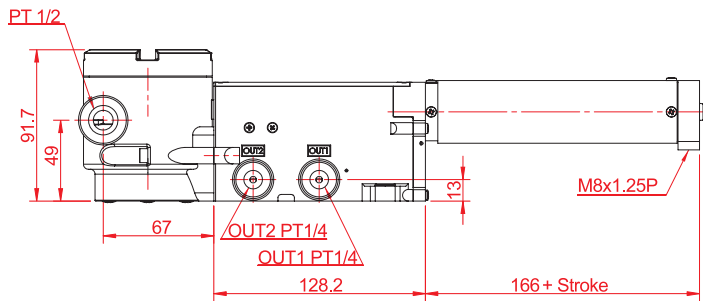
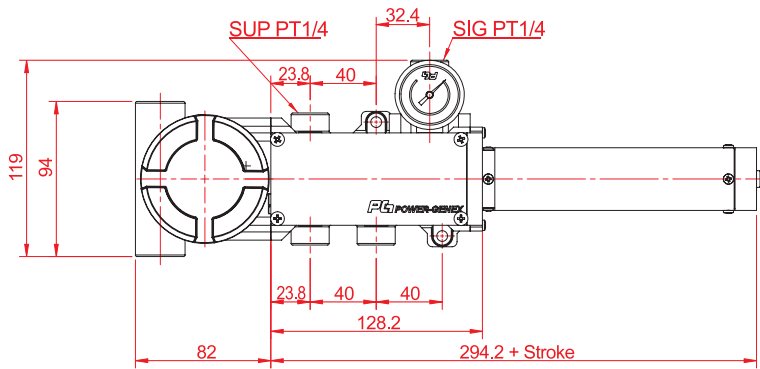
Please be sure to describe a size and a stroke of the cylinder actuator required when placing an order

### CAUTION

1. Please be sure to disconnect supply air completely before opening a feedback spring protection tube.
2. When input signal increases, the EPCL / PPCL can operate only in the direction that the cylinder extends.

## Dimensions

### - EPCL



### - PPCL

